



800W LED SPORTS LIGHT

QDZ-800D

PRODUCT FEATURE

- Special designed optical lens , anti glare.
- Professional light distribution design, and customized color temperature.
- Military industrial cooling technology, Aviation aluminum 6063-T5
- Stable quality: CE, RoHS, CB, C-tick certificated.

PRODUCT TECHNICAL DATE

Electrical Specification

Model: QDZ-800D
 Power Consumption: 800W
 Input Voltage: AC 100-240V
 Power: 800W
 Color Temperature: ≥5,000K

Photometric Specification

Color-rendering Index: ≥80
 Power Factor: >0.95
 Life span: >50,000hrs
 Beam angle: Customized

Operating Parameters

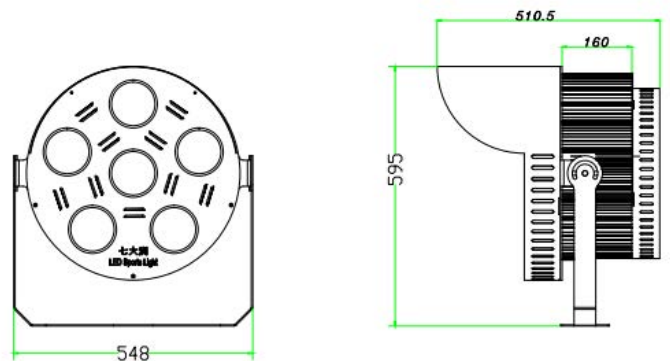
Material: LED + reflector cup + high-effectively anti-glare device
 IP Rating: ≥IP65
 Working Environment: -30°C~+55°C
 Product Size: 548*595*510.5mm
 Net Weight: 26KGS

Color: As picture

APPLICATION

- Football Field
- Golf Course
- Hockey Field
- Rugby Field
- Baseball Field

DIMENSION



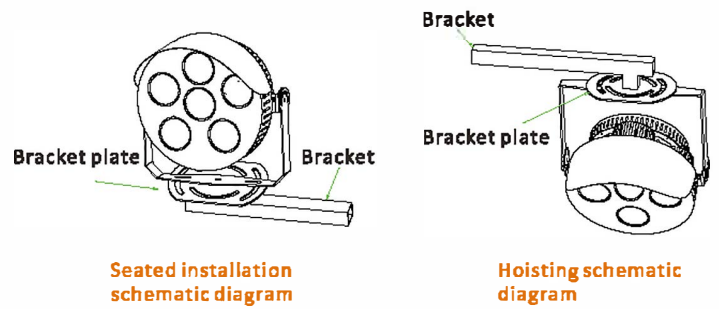
PRODUCT ADVANTAGE

- Patent phase change material heat sink have made dramatic improvements in LED lifespan and constant light level. It ensures the sports lighting be a cost-effective and trouble-free products.
- Professional light optical design providing uniformity lighting over the full pitch without glare and spill, and greatly minimizing visual discomfort, light pollution and complaints on light trespass from residents.
- With SCL lighting control system, energy, maintenance or other costs associated with operation of sports facilities can be reduced from streamlining scheduling and minimize having extra personnel do simple On/Off operations.

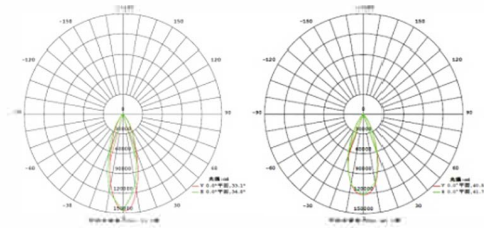
CAUTION

- Turn power off before inspection, installation, or removal.
- Not for use in recessed fixtures.
- Do not open - no use intended of use with emergency exit fixtures or emergency exit lights.

INSTALLATION



PHOTOMETRICS



Note: The chart shows the calculated results of pieces of samples, accurately shows the light decay situation of the usage of Seven Continents LED sports light. Generally speaking, the lumen maintenance can be more than 95% without maintenance after working 10,000 hours.

APPLICATION



SOLUTION

